

Working Model 06b

6.125 The press shown is used to emboss a small seal at E . Knowing that $P = 250$ N, determine (a) the vertical component of the force exerted on the seal, (b) the reaction at A .

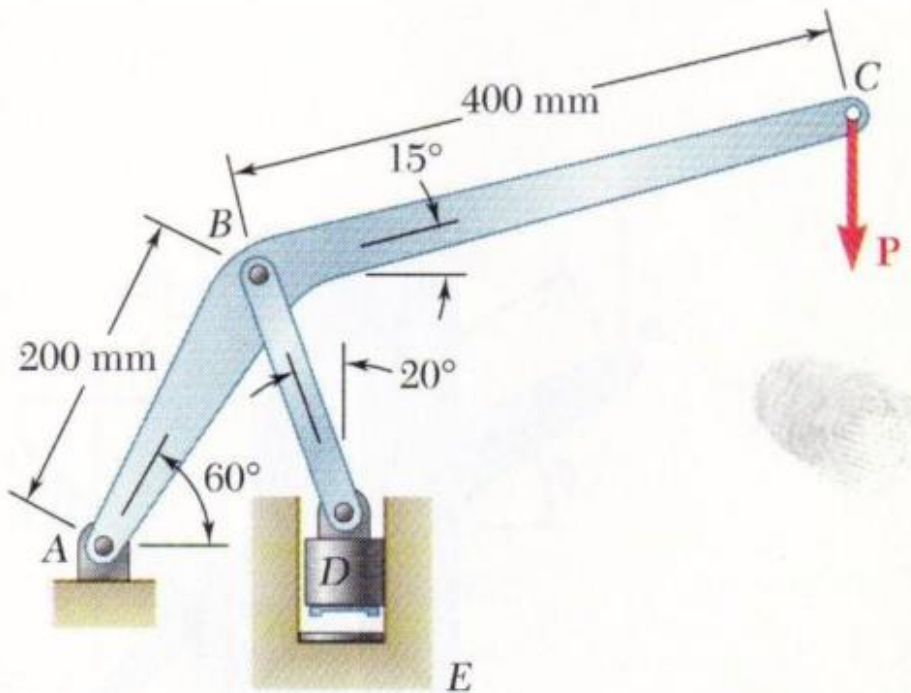
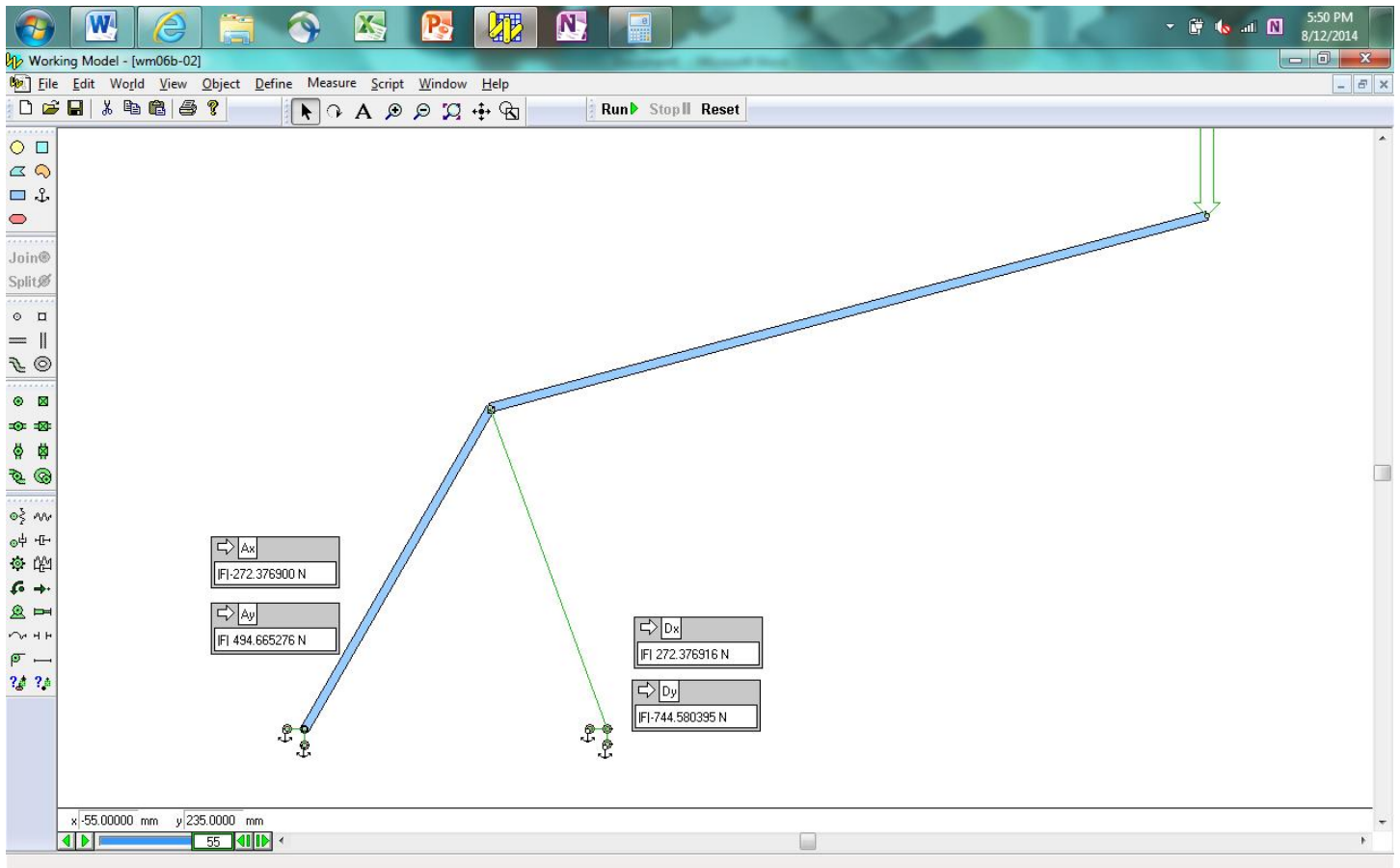


Fig. P6.125 and P6.126

Create two rectangles for the lower and upper legs of the press. Attach these together using the Rigid Joint tool.



When the results of your model match those shown above, take a screenshot of the model (with numerical values showing), copy and paste it into Microsoft Word, save it as a pdf file, and submit it to the Dropbox in Pilot.